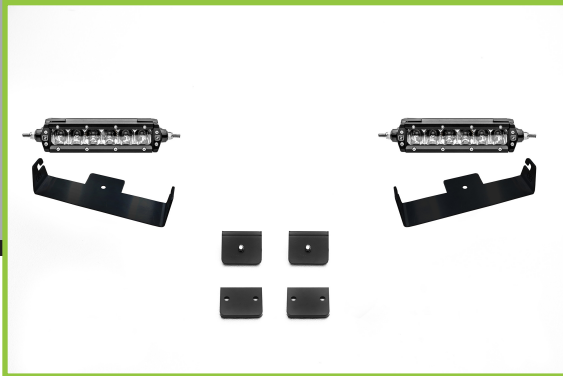




ZROADZ

DYNAMIC LED MOUNTING SOLUTIONS



UNIVERSAL EDGE CLAMP / LED MOUNT

Z310006-KIT

UNIVERSAL PANEL CLAMP LED LIGHT MOUNT

PARTS INCLUDED

Z310006-KIT

- (2) Universal Panel Clamp Sets
- (2) LED Light Bracket Mounts

LED LIGHTS INCLUDED

Z310006-KIT (2) 6" Single Row LED Light Bars

- * LED Lights include a separate hardware kit.

HARDWARE INCLUDED

Z390006-KIT

- ITEM #1 - (4) - 1/4" STAINLESS STEEL FLAT WASHER
- ITEM #2 - (4) - 1/4" NY LOCK SS HEX NUT
- ITEM #3 - (2) - 5/16" NYLOCK SS HEX NUT
- ITEM #4 - (2) - 5/16" STAINLESS STEEL FLAT WASHER

TOOLS REQUIRED

- Various Socket Set
- Various Wrenches
- Ratchet Tool
- Ratchet Extensions

INSTALLATION GUIDE

START HERE

PLEASE READ AND UNDERSTAND ALL INSTRUCTIONS BEFORE INSTALLATION. Auto makers offer varied models to each vehicle and occasionally manufacture more than one body style of the same model.

* APPLICATION MODELS VARY. WE RECOMMEND TO VERIFY FITMENT BEFORE BEGINNING INSTALLATION PROCESS.
* IMAGES FEATURED IN THE INSTRUCTION DOCUMENTS MAY NOT ALWAYS EXACTLY MATCH YOUR MODEL OR PART.

BEFORE YOU BEGIN

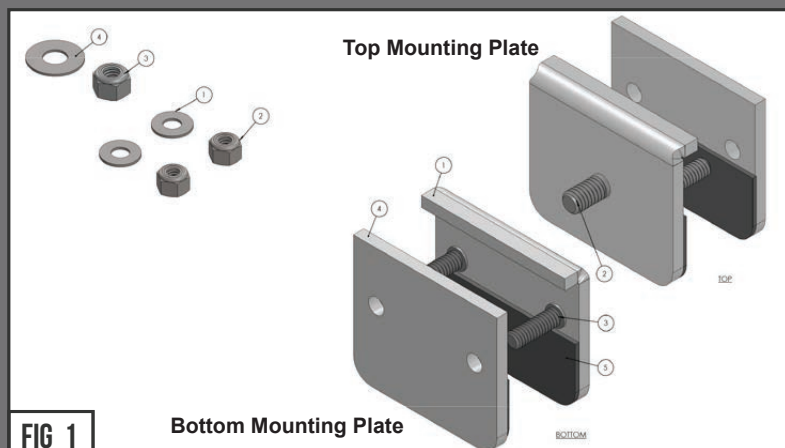
EDGE MOUNT INSTALLATION

START HERE: Turn off engine, chalk tires with stop block, open the hood and disconnect the battery.

STEP 1

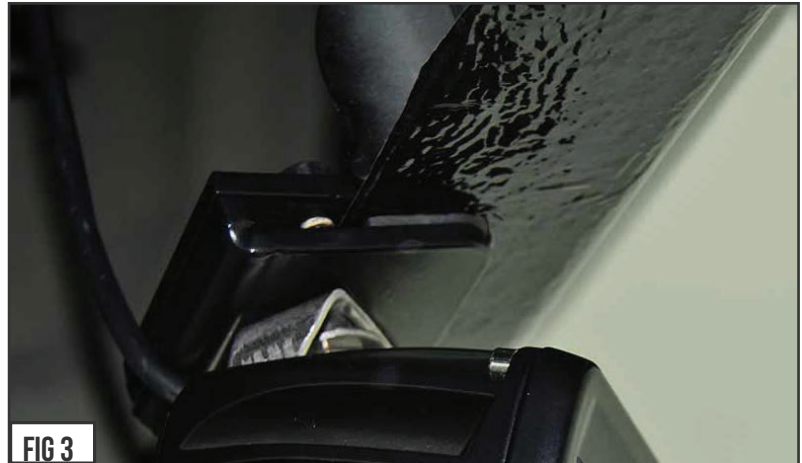
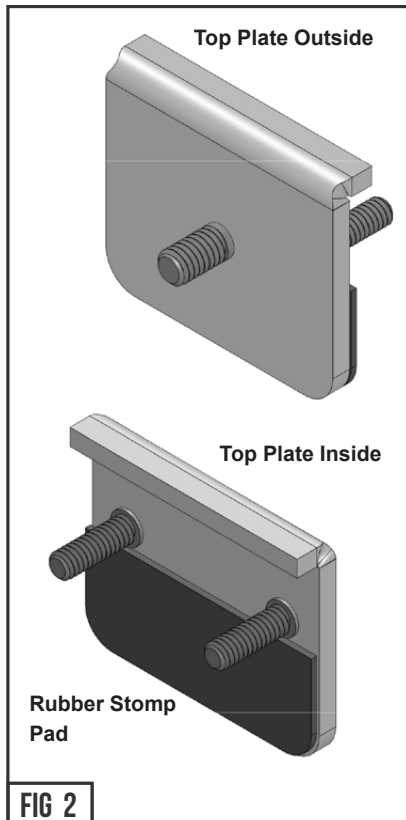
- 1) Start by laying out all pieces and hardware.

Identify the Top Mounting Plate and Bottom Mounting Plate.





UNIVERSAL EDGE MOUNT - CONTINUED



STEP 2

SEE FIGURES 2 - 3

2) Identify where you will mount the Universal Edge Clamp.

Put into place the Top Mounting Plate and Bottom Mounting Plate. To protect the finish and vehicle paint, make sure the Rubber Stomp Pads are in direct contact with the mounting surface and is the primary surface.

Assemble and mount the two Clamping plates with the provided hardware to the two threaded mounting posts on the inside or bottom side of the Top Mounting Mounting Plate.

ITEM #1 - (4) - 1/4" STAINLESS STEEL FLAT WASHER

ITEM #2 - (4) - 1/4" NY LOCK SS HEX NUT

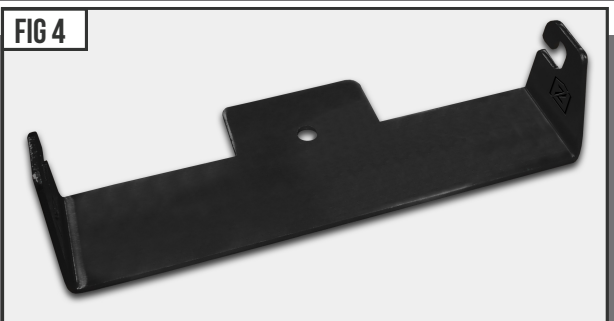
STEP 3

SEE FIGURE 4 - 5

3) At this point, you will put into place the LED Light Bracket and fix it to the ZROADZ Universal Panel Clamp with the provided hardware (5/16" FLAT WASHERS & 5/16" NYLOCK SS HEX NUTS).

Click the LED Light Bracket so that it is pointed in the desired direction.

FIG 4



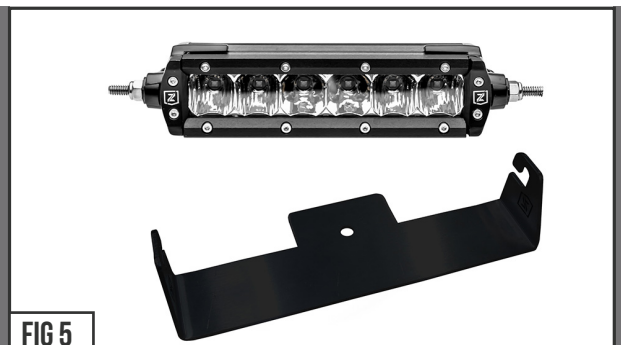
STEP 4

4) Put into place the LED Light and fix it to the LED Light Bracket. Click the LED Light so that it is pointed in the desired direction.

STEP 5

5) Tighten all hardware. Repeat all steps for the second set of ZROADZ Panel Clamps.

FIG 5



UNIVERSAL EDGE MOUNT INSTALLATION - COMPLETE



ZROADZ

DYNAMIC LED MOUNTING SOLUTIONS

PRODUCT CARE INFORMATION

PRODUCT CARE INFORMATION

Wash regularly as you would when caring for your vehicles. Never use dish soap. Never leave wet water spots as that may leave a blemish.

MATTE BLACK FINISH

Paint warranty applies to defects in material and / or workmanship, it does not cover the matte finish surface appearance.

To enjoy the matte appearance for many years to come, please follow these owner care and maintenance tips.

Get a no-shine matte car wash soap that uses no fillers, no silicone, and won't strip your matte paint of its layer of protection.

Do not use wax, detail spray, armorall®, or any products made for normal paint. Use only products specifically developed for matte finish paint. Do not use products that are even mildly abrasive, such as polishes, glazes, or rubbing compounds. Do not use mechanical cleaners or polishers. Do not use terrycloth, cloth, or paper towels. Do not rub the finish vigorously, this will burnish the paint finish, causing a permanent shiny spot. Shiny spots cannot be removed.

Do not use commercial car wash facilities or their shine enhancement products. Most car wash brushes, large mechanized "towels," and shine enhancement products can damage matte paint.

Remove foreign substances such as insect remains, tar, and road debris using a soft applicator and a mild solvent; saturate and soak area before cleaning—rub lightly.

Hand-wash with a soft wash mitt and mild cleaning product safe for matte paint. Use microfiber cleaning cloths with alcohol-based window cleaner for basic surface clean-up.

GLOSS BLACK FINISH

ZROADZ with Gloss Black Powder Coated Finish may be washed regularly as you would when caring for your vehicles finish using soap and water. ZROADZ should be waxed at the same time that you wax the vehicle. As a general rule, anything you use to clean your vehicles painted surfaces can be used to clean and maintain your ZROADZ grille. A Gloss powder Coated Finish can be cared for in the same fashion that you would care for your vehicles factory paint job. Never leave wet water spots as that may leave a blemish.